

## On-Premises 25-lb Classic Tumble Dryer

Our single-pocket tumble dryers\* feature concentrated airflow and sealed cylinder rims to ensure energy savings. This superior drying performance helps laundries maximize throughput to meet the daily workload every time. Our tumble dryers are designed with fewer moving parts, so you'll face less maintenance and wear and tear.

### Efficient

High-performance heater box increases energy efficiency and reduces drying times to help on-premises laundries increase throughput, while decreasing operating costs.

### Extra Capacity

Huebsch tumbler dryers offer the sizable capacity to effectively meet the needs of most medium and large scale laundries.

### Unmatched Durability

Huebsch tumble dryers are manufactured at our Ripon, WI headquarters. The entire machine receives Huebsch's standard three-year warranty\*\*. In addition, Huebsch has more service representatives in the field than most brands have in their whole organization.



### Galaxy™

The Galaxy Control offers the flexibility of 30 programmable cycles combined with the accuracy of our moisture-sensing technology saving time and energy increasing the life of your linens, saving time and energy.



### Dual Digital (QT)

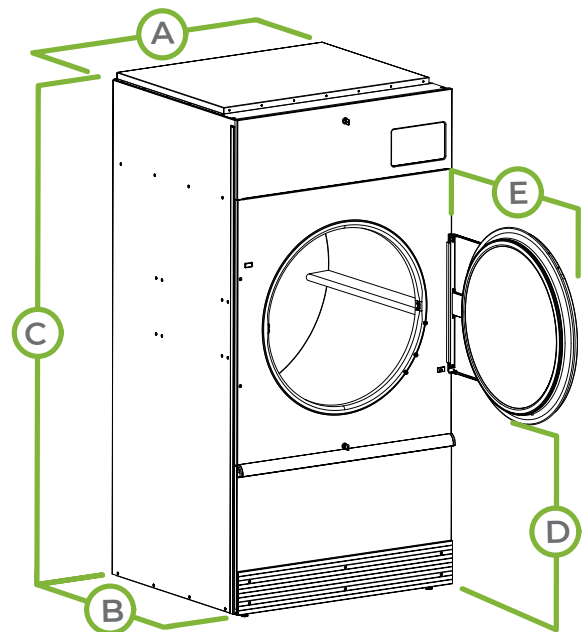
With features including one-touch cycle repeat, automatic extended tumble and a large digital countdown display, it's simple to set your drying time, temperature and cool down with the Dual Digital Control.

\* Not all models are available in all markets. In order to highlight key details, machine images do not adhere to a standard scale.

\*\* Parts only, labor not included. See Huebsch Warranty Bond for specifics.

## On-Premises 25-lb Classic Tumble Dryer Specifications

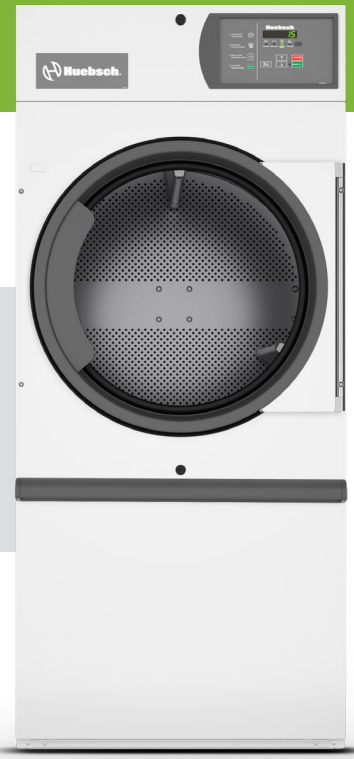
MODEL		HT025	
CONTROL OPTION		Galaxy, Dual Digital (QT)	
CAPACITY - lb (kg)		25 (11)	
OVERALL WIDTH - in (mm)		27.9 (710)	
OVERALL DEPTH - in (mm)		40.78 (1038)	
OVERALL HEIGHT - in (mm)		63.9 (1625)	
CYLINDER DIAMETER - in (mm)		26.5 (673)	
CYLINDER DEPTH - in (mm)		24 (610)	
CYLINDER VOLUME - cu. ft. (liters)		7.7 (220)	
DOOR OPENING SIZE - in (mm)		22.7 (576)	
ENERGY DATA	Gas Models - Per Pocket	64,000 Btu/hr	
	Electric Models	12kW	
GAS CONNECTIONS - in (npt)		0.5	
AIR OUTLET - in (mm)		6 (152)	
MOTOR - hp	Fan	0.25	
	Cylinder	0.25	
AIRFLOW - cfm (liters/sec)	50 Hz	430 (203)	
	60 Hz	500 (236)	
ELECTRICAL SPECS - amps	Gas		
	A2	100-200-220V/60/1	11.0/5.8
	B2	120/208-240V/60/1	12.0/6.7
	F6	200-208/240V/60/3	3.2/3.2
	A1	100/200V/50/1	12.1/7.5
	J2	230-240V/50/1	7.5
	M2	380/400-415V/50/3	1.5/1.6
	Electric		
	F5	200-208V/60/3	37
	J8	240V/60/3	33
	Q1	460-480V/60/3	16
	J2	230-240V/50/1	58
	M1	380V/50/3	20
	N1	400-415V/50/3	18
SHIPPING DIMENSIONS	Width	30 (760)	
	Depth	43 (1090)	
	Height	69 (1753)	
APPROX. - in (mm)			
NET WEIGHT - lb (kg)		299 (135)	
SHIPPING WEIGHT - lb (kg)		332 (151)	
AGENCY APPROVALS		CSA	



MODEL	HT025
A. OVERALL WIDTH - in (mm)	27.9 (710)
B. OVERALL DEPTH - in (mm)	40.78 (1038)
C. OVERALL HEIGHT - in (mm)	63.9 (1625)
D. DOOR BOTTOM TO FLOOR - in (mm)	27.5 (700)
E. DOOR SWING - in (mm)	26.3 (670)

Tumble dryer models are made to suit a variety of electrical service characteristics. See your Huebsch distributor for specifications. For further details on installation, refer to Installation, Operation and Maintenance instructions supplied with the tumble dryer. Amperage ratings available in Installation Manual. USA and Canada models are certified by C.S.A International.

For the most accurate information, the installation guide should be used for all design and construction purposes. Due to continuous product improvements, design and specifications subject to change without notice. The quality management systems of Alliance Laundry Systems are registered to ISO 9001.



## On-Premises 30-lb Classic Tumble Dryer

Our single-pocket tumble dryers\* feature concentrated airflow and sealed cylinder rims to ensure energy savings. This superior drying performance helps laundries maximize throughput to meet the daily workload every time. Our tumble dryers are designed with fewer moving parts, so you'll face less maintenance and wear and tear.

### Efficient

High-performance heater box increases energy efficiency and reduces drying times to help on-premises laundries increase throughput, while decreasing operating costs.

### Extra Capacity

Huebsch tumbler dryers offer the sizable capacity to effectively meet the needs of most medium and large scale laundries.

### Performance

Huebsch tumble dryers are manufactured at our Ripon, WI headquarters. The entire machine receives Huebsch's standard three-year warranty\*\*. In addition, Huebsch has more service representatives in the field than most brands have in their whole organization.



### Galaxy™

The Galaxy Control offers the flexibility of 30 programmable cycles combined with the accuracy of our moisture-sensing technology saving time and energy increasing the life of your linens, saving time and energy.



### Dual Digital (QT)

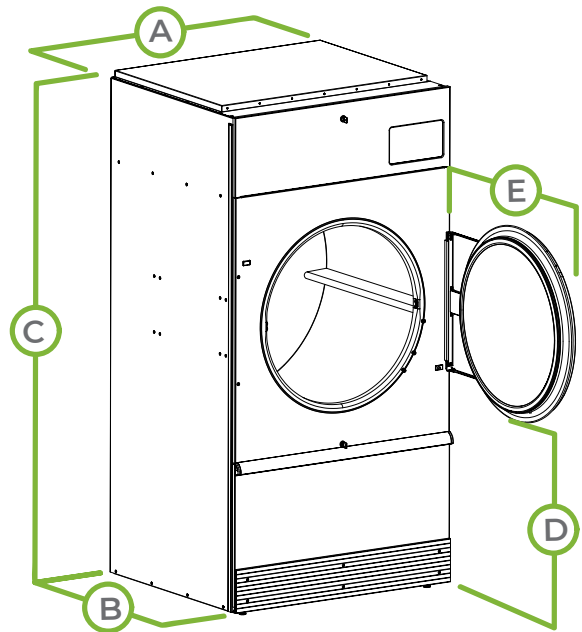
With features including one-touch cycle repeat, automatic extended tumble and a large digital countdown display, it's simple to set your drying time, temperature and cool down with the Dual Digital Control.

\* Not all models are available in all markets. In order to highlight key details, machine images do not adhere to a standard scale.

\*\* Parts only, labor not included. See Huebsch Warranty Bond for specifics.

## On-Premises 30-lb Classic Tumble Dryer Specifications

MODEL		HT030	
CONTROL OPTION		Galaxy, Dual Digital (QT)	
CAPACITY - lb (kg)		30 (14)	
OVERALL WIDTH - in (mm)		28 (711)	
OVERALL DEPTH - in (mm)		46.78 (1191)	
OVERALL HEIGHT - in (mm)		63.9 (1625)	
CYLINDER DIAMETER - in (mm)		26.5 (673)	
CYLINDER DEPTH - in (mm)		30 (762)	
CYLINDER VOLUME - cu. ft. (liters)		9.6 (270)	
DOOR OPENING SIZE - in (mm)		22.7 (576)	
ENERGY DATA	Gas Models - Per Pocket	73,000 Btu/hr	
	Electric Models	21kW	
GAS CONNECTIONS - in (npt)		0.5	
AIR OUTLET - in (mm)		6 (152)	
MOTOR - hp	Fan	0.25	
	Cylinder	0.25	
AIRFLOW - cfm (liters/sec)	50 Hz	430 (203)	
	60 Hz	500 (236)	
ELECTRICAL SPECS - amps	Gas		
	A2	100-200-220V/60/1	11.0/5.8
	B2	120/208-240V/60/1	12.0/6.7
	F6	200-208/240V/60/3	3.2/3.2
	A1	100/200V/50/1	12.1/7.5
	J2	230-240V/50/1	7.5
	M2	380/400-415V/50/3	4.5/1.6
	Electric		
	F5	200-208V/60/3	62
	J8	240V/60/3	54
	Q1	460-480V/60/3	27
	J2	230-240V/50/1	95
	M1	380V/50/3	33
	N1	400-415V/50/3	31
SHIPPING DIMENSIONS	Width	30 (760)	
	Depth	49 (1240)	
	Height	69 (1753)	
APPROX. - in (mm)			
NET WEIGHT - lb (kg)		331 (150)	
SHIPPING WEIGHT - lb (kg)		364 (165)	
AGENCY APPROVALS		CSA	



MODEL	HT030
A. OVERALL WIDTH - in (mm)	28 (711)
B. *OVERALL DEPTH - in (mm)	46.78 (1191)
C. OVERALL HEIGHT - in (mm)	63.9 (1625)
D. DOOR BOTTOM TO FLOOR - in (mm)	27.5 (700)
E. DOOR SWING - in (mm)	26.3 (670)

Tumble dryer models are made to suit a variety of electrical service characteristics. See your Huebsch distributor for specifications. For further details on installation, refer to Installation, Operation and Maintenance instructions supplied with the tumble dryer. Amperage ratings available in Installation Manual. USA and Canada models are certified by C.S.A International.

For the most accurate information, the installation guide should be used for all design and construction purposes. Due to continuous product improvements, design and specifications subject to change without notice. The quality management systems of Alliance Laundry Systems are registered to ISO 9001.



## On-Premises 50-lb Classic Tumble Dryer

Our single-pocket tumble dryers\* feature concentrated airflow and sealed cylinder rims to ensure energy savings. This superior drying performance helps laundries maximize throughput to meet the daily workload every time. Our tumble dryers are designed with fewer moving parts, so you'll face less maintenance and wear and tear.

### Efficient

High-performance heater box increases energy efficiency and reduces drying times to help on-premises laundries increase throughput, while decreasing operating costs.

### Extra Capacity

Huebsch tumbler dryers offer the sizable capacity to effectively meet the needs of most medium and large scale laundries.

### Unmatched Durability

Huebsch tumble dryers are manufactured at our Ripon, WI headquarters. The entire machine receives Huebsch's standard three-year warranty\*\*. In addition, Huebsch has more service representatives in the field than most brands have in their whole organization.



### Galaxy™

The Galaxy Control offers the flexibility of 30 programmable cycles combined with the accuracy of our moisture-sensing technology saving time and energy increasing the life of your linens, saving time and energy.



### Dual Digital (QT)

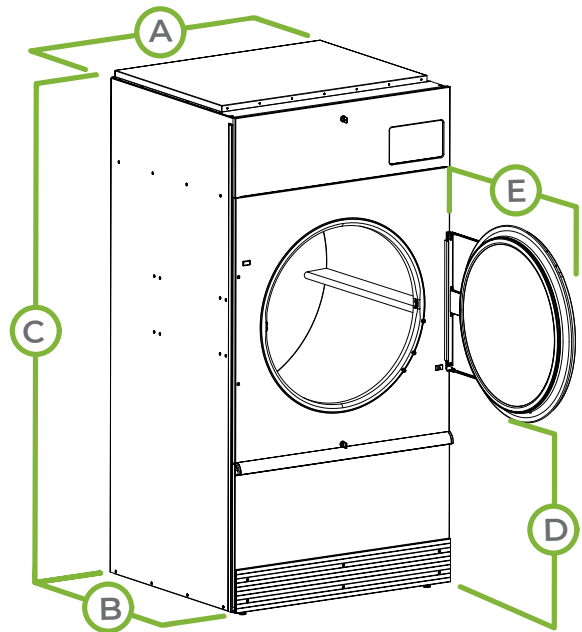
With features including one-touch cycle repeat, automatic extended tumble and a large digital countdown display, it's simple to set your drying time, temperature and cool down with the Dual Digital Control.

\* Not all models are available in all markets. In order to highlight key details, machine images do not adhere to a standard scale.

\*\* Parts only, labor not included. See Huebsch Warranty Bond for specifics.

## On-Premises 50-lb Classic Tumble Dryer Specifications

MODEL		HT050	
CONTROL OPTION		Galaxy, Dual Digital (QT)	
CAPACITY - lb (kg)		50 (23)	
OVERALL WIDTH - in (mm)		38.6 (981)	
OVERALL DEPTH - in (mm)		48.25 (1226)	
OVERALL HEIGHT - in (mm)		76.6 (1946)	
CYLINDER DIAMETER - in (mm)		37 (940)	
CYLINDER DEPTH - in (mm)		30 (762)	
CYLINDER VOLUME - cu. ft. (liters)		18.6 (528)	
DOOR OPENING SIZE - in (mm)		26.9 (683)	
ENERGY DATA	Gas Models - Per Pocket	130,000 Btu/hr	
	Steam Models - Per Pocket	178,000 Btu/hr	
	Electric Models	30kW	
GAS CONNECTIONS - in (npt)		0.5	
PLUMBING CONNECTIONS - STEAM - in (npt)		0.75	
AIR OUTLET - in (mm)		8 (200)	
MOTOR -hp	Fan	0.5	
	Cylinder	0.5	
AIRFLOW - cfm (liters/sec)		750 (354)	
ELECTRICAL SPECS - amps	Gas & Steam		
	Non Rev/Rev		
	B1	120V/60/1	9.3/12.6
	F3	200-208/240V/60/1	5.1/6.5
	F6	200-208/240V/60/3	2.8/4.0
	Q1	460-480V/60/3	1.4/1.9
	J2	230-240V/50/1	6.3/6.9
	M2	380/400-415V/50/3	1.6/2.0
	Electric		
	F5	200-208V/60/3	89/88
	J8	240V/60/3	79/78
	Q2	480V/60/3	38/38
	M1	380V/50/3	47/48
N1	400-415V/50/3	43/44	
SHIPPING DIMENSIONS	Width	41.5 (1050)	
	Depth	52.1 (1323)	
	Height	81 (2057)	
APPROX. - in (mm)			
NET WEIGHT - lb (kg)		545 (247)	
SHIPPING WEIGHT - lb (kg)		602 (273)	
AGENCY APPROVALS		CSA	



MODEL	HT050
A. OVERALL WIDTH - in (mm)	38.6 (981)
B. *OVERALL DEPTH - in (mm)	48.25 (1226)
C. OVERALL HEIGHT - in (mm)	76.6 (1946)
D. DOOR BOTTOM TO FLOOR - in (mm)	29.2 (740)
E. DOOR SWING - in (mm)	33.9 (860)

Tumble dryer models are made to suit a variety of electrical service characteristics. See your Huebsch distributor for specifications. For further details on installation, refer to Installation, Operation and Maintenance instructions supplied with the tumble dryer. Amperage ratings available in Installation Manual. USA and Canada models are certified by C.S.A International.

For the most accurate information, the installation guide should be used for all design and construction purposes. Due to continuous product improvements, design and specifications subject to change without notice. The quality management systems of Alliance Laundry Systems are registered to ISO 9001.



## On-Premises **55-lb** Classic Tumble Dryer

Our single-pocket tumble dryers\* feature concentrated airflow and sealed cylinder rims to ensure energy savings. This superior drying performance helps laundries maximize throughput to meet the daily workload every time. Our tumble dryers are designed with fewer moving parts, so you'll face less maintenance and wear and tear.

### Efficient

High-performance heater box increases energy efficiency and reduces drying times to help on-premises laundries increase throughput, while decreasing operating costs.

### Extra Capacity

Huebsch tumbler dryers offer the sizable capacity to effectively meet the needs of most medium and large scale laundries.

### Unmatched Durability

Huebsch tumble dryers are manufactured at our Ripon, WI headquarters. The entire machine receives Huebsch's standard three-year warranty\*\*. In addition, Huebsch has more service representatives in the field than most brands have in their whole organization.



### Galaxy™

The Galaxy Control offers the flexibility of 30 programmable cycles combined with the accuracy of our moisture-sensing technology saving time and energy increasing the life of your linens, saving time and energy.



### Dual Digital (QT)

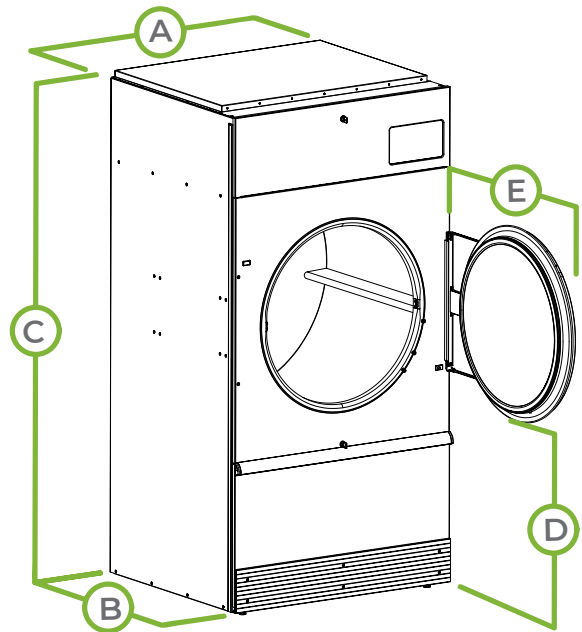
With features including one-touch cycle repeat, automatic extended tumble and a large digital countdown display, it's simple to set your drying time, temperature and cool down with the Dual Digital Control.

\* Not all models are available in all markets. In order to highlight key details, machine images do not adhere to a standard scale.

\*\* Parts only, labor not included. See Huebsch Warranty Bond for specifics.

## On-Premises **55-lb Classic Tumble Dryer** Specifications

MODEL		HT055	
CONTROL OPTION		Galaxy, Dual Digital (QT)	
CAPACITY - lb (kg)		55 (25)	
OVERALL WIDTH - in (mm)		34.5 (876)	
OVERALL DEPTH - in (mm)		53.6 (1362)	
OVERALL HEIGHT - in (mm)		66.8 (1695)	
CYLINDER DIAMETER - in (mm)		33 (838)	
CYLINDER DEPTH - in (mm)		35 (889)	
CYLINDER VOLUME - cu. ft. (liters)		17.3 (490)	
DOOR OPENING SIZE - in (mm)		26.9 (683)	
ENERGY DATA	Gas Models - Per Pocket (50 Hz)	102,000 Btu/hr	
	Gas Models - Per Pocket (60 Hz)	112,000 Btu/hr	
	Electric Models	27kW	
GAS CONNECTIONS - in (npt)		0.5	
AIR OUTLET - in (mm)		8 (200)	
MOTOR - hp	Fan	0.5	
	Cylinder	0.5	
AIRFLOW - cfm (liters/sec)	50 Hz	600 (283)	
	60 Hz	700 (330)	
ELECTRICAL SPECS - amps	Gas		
	Non Rev/Rev		
	F6	200-208/240V/60/3	4.0/4.5
	J2	230-240V/50/1	5.5
	Electric		
	F5	200-208V/60/3	7.9/7.9
	J8	240V/60/3	6.5/6.5
	M1	380V/50/3	4.3/4.3
N1	400-415V/50/3	3.8/3.8	
SHIPPING DIMENSIONS	Width	35.5 (900)	
	Depth	59 (1499)	
	Height	72 (1829)	
NET WEIGHT - lb (kg)		435 (197)	
SHIPPING WEIGHT - lb (kg)		476 (216)	
AGENCY APPROVALS		CSA	



MODEL	HT055
A. OVERALL WIDTH - in (mm)	34.5 (876)
B. *OVERALL DEPTH - in (mm)	53.6 (1362)
C. OVERALL HEIGHT - in (mm)	66.8 (1695)
D. DOOR BOTTOM TO FLOOR - in (mm)	26.9 (680)
E. DOOR SWING - in (mm)	31.9 (810)

Tumble dryer models are made to suit a variety of electrical service characteristics. See your Huebsch distributor for specifications. For further details on installation, refer to Installation, Operation and Maintenance instructions supplied with the tumble dryer. Amperage ratings available in Installation Manual. USA and Canada models are certified by C.S.A International.

For the most accurate information, the installation guide should be used for all design and construction purposes. Due to continuous product improvements, design and specifications subject to change without notice. The quality management systems of Alliance Laundry Systems are registered to ISO 9001.





## On-Premises **75-lb** Classic Tumble Dryer

Our single-pocket tumble dryers\* feature concentrated airflow and sealed cylinder rims to ensure energy savings. This superior drying performance helps laundries maximize throughput to meet the daily workload every time. Our tumble dryers are designed with fewer moving parts, so you'll face less maintenance and wear and tear.

### Efficient

High-performance heater box increases energy efficiency and reduces drying times to help on-premises laundries increase throughput, while decreasing operating costs.

### Extra Capacity

Huebsch tumbler dryers offer the sizable capacity to effectively meet the needs of most medium and large scale laundries.

### Unmatched Durability

Huebsch tumble dryers are manufactured at our Ripon, WI headquarters. The entire machine receives Huebsch's standard three-year warranty\*\*. In addition, Huebsch has more service representatives in the field than most brands have in their whole organization.



### Galaxy™

The Galaxy Control offers the flexibility of 30 programmable cycles combined with the accuracy of our moisture-sensing technology saving time and energy increasing the life of your linens, saving time and energy.



### Dual Digital (QT)

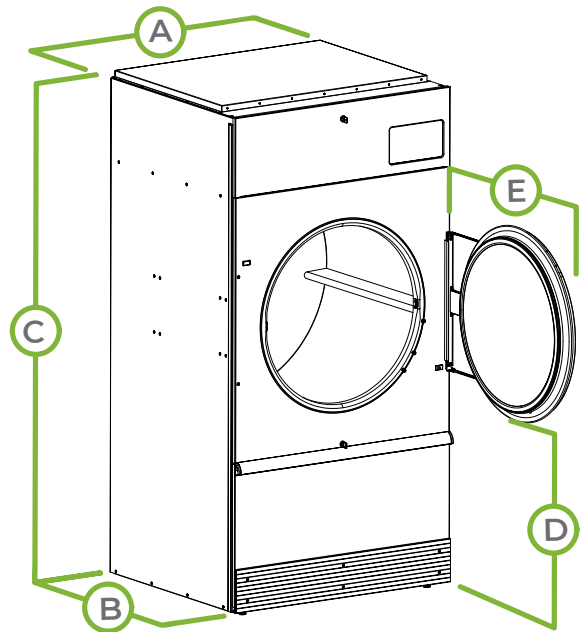
With features including one-touch cycle repeat, automatic extended tumble and a large digital countdown display, it's simple to set your drying time, temperature and cool down with the Dual Digital Control.

\* Not all models are available in all markets. In order to highlight key details, machine images do not adhere to a standard scale.

\*\* Parts only, labor not included. See Huebsch Warranty Bond for specifics.

## On-Premises **75-lb Classic Tumble Dryer** Specifications

MODEL		HT075	
CONTROL OPTION		Galaxy, Dual Digital (QT)	
CAPACITY - lb (kg)		75 (34)	
OVERALL WIDTH - in (mm)		38.6 (981)	
OVERALL DEPTH - in (mm)		54.3 (1378)	
OVERALL HEIGHT - in (mm)		76.6 (1946)	
CYLINDER DIAMETER - in (mm)		37 (940)	
CYLINDER DEPTH - in (mm)		36 (914)	
CYLINDER VOLUME - cu. ft. (liters)		22.4 (634)	
DOOR OPENING SIZE - in (mm)		26.9 (683)	
ENERGY DATA	Gas Models - Per Pocket	165,000 Btu/hr	
	Steam Models - Per Pocket	210,300 Btu/hr	
	Electric Models	30kW	
GAS CONNECTIONS - in (npt)		0.5	
PLUMBING CONNECTIONS - STEAM - in (npt)		0.75	
AIR OUTLET - in (mm)		8 (200)	
MOTOR -hp	Fan	0.75	
	Cylinder	0.75	
AIRFLOW -cfm (liters/sec)	50 Hz	750 (3540)	
	60 Hz	920 (434)	
ELECTRICAL SPECS - amps	Gas & Steam		
		Non Rev/Rev	
	B1	120V/60/1	13.8/13.0
	F3	200-208/240V/60/1	7.6/7.0
	F6	200-208/240V/60/3	3.8/4.3
	Q1	460-480V/60/3	1.9/2.1
	J2	230-240V/50/1	6.7/7.0
	M2	380/400-415V/50/3	1.8/2.1
	Electric		
	F5	200-208V/60/3	89/88
	J8	240V/60/3	79/78
	Q2	480V/60/3	38/38
	M1	380V/50/3	47/48
N1	400-415V/50/3	43/44	
SHIPPING DIMENSIONS APPROX. - in (mm)	Width	41.5 (1050)	
	Depth	56.4 (1433)	
	Height	81 (2060)	
NET WEIGHT - lb (kg)		615 (2790)	
SHIPPING WEIGHT - lb (kg)		677 (307)	
AGENCY APPROVALS		CSA	



MODEL	HT075
A. OVERALL WIDTH - in (mm)	38.6 (981)
B. *OVERALL DEPTH - in (mm)	54.3 (1378)
C. OVERALL HEIGHT - in (mm)	76.6 (1946)
D. DOOR BOTTOM TO FLOOR - in (mm)	29.2 (740)
E. DOOR SWING - in (mm)	33.9 (860)

Tumble dryer models are made to suit a variety of electrical service characteristics. See your Huebsch distributor for specifications. For further details on installation, refer to Installation, Operation and Maintenance instructions supplied with the tumble dryer. Amperage ratings available in Installation Manual. USA and Canada models are certified by C.S.A International.

For the most accurate information, the installation guide should be used for all design and construction purposes. Due to continuous product improvements, design and specifications subject to change without notice. The quality management systems of Alliance Laundry Systems are registered to ISO 9001.